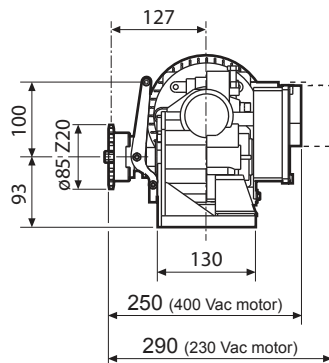
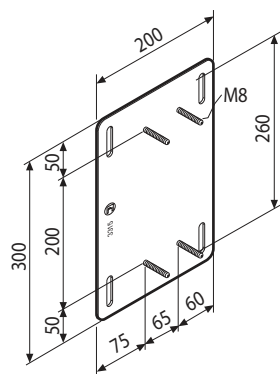


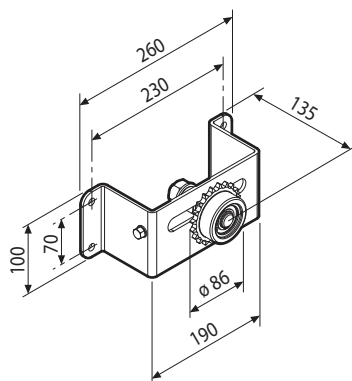
FRONT VIEW



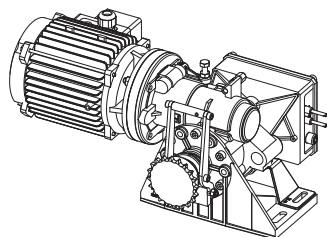
LATERAL VIEW



WALL FIXING PLATE  
FOR SECTIONAL DOORS



ADJUSTABLE CHAIN STRETCHER



**MEC 200 LB** is an electro-mechanical operator for sliding gates operated by a chain-driven system.

Extremely versatile, it can provide reliable solutions for industrial applications with sliding gates, folding doors and sectional doors.

The gears, inside the aluminium gear box, are supported by roller bearings, while the inner worm-gear coupling (steel for the former and bronze for the latter) is in an oil bath; this ensures extreme reliability and very high performance.

MEC 200 LB is available in various versions, to meet any application requirements: 0,5 HP (0,37 kW) and 1,0 HP (0,73 kW) motors, single- and three-phase; 1,5 HP (1,1 kW) motor, three-phase.

Two different release options are available with each model: either by handle or by cable; the latter being fitted with a custom-made lockable lever.

Both models can be delivered with incorporated limit switches (maximum door width 8 m). External limit switches can be provided as an alternative, on request.

MEC 200 LB is torque controlled by means of a mechanical clutch system in an oil bath, which allows torque to be adjusted to the door weight and size, depending on the application requirements.

The system is completed by a chain stretcher, designed for wall mounting, and consisting of an adjustable pinion allowing for the chain to be properly supported and slide inside the chain guides.

MEC 200 LB is controlled by an electronic printed circuit board, designed to take the connections of other accessories such as radio remote controls, photocells, mechanical cable-operated edges and flashing lights. All of them providing the system with full safety features.

**TECHNICAL SPECIFICATIONS**

<b>ELECTRIC MOTORS</b>	<b>Single-phase</b>	<b>Three-phase</b>	<b>Single-phase</b>	<b>Three-phase</b>	<b>Three-phase</b>
Power output	0,37 kW (0,5 HP)	0,37 kW (0,5 CV)	0,73 kW (1,0 CV)	0,73 kW (1,0 CV)	1,1 kW (1,5 CV)
Supply voltage	230 Vac	230/400 Vac	230 Vac	230/400 Vac	230/400 Vac
Frequency			50 Hz		
Absorbed power	510 W	575 W	1.130 W	1.030 W	1.500 W
Absorbed current	2,4 A	2,1/1,2 A	5,7 A	3,7/2,2 A	5,1/3 A
Motor rotation speed			1.380 rpm		
Capacitor	20 µF		30 µF		
Intermittent service			S3		

<b>OPERATOR</b>	<b>Single-phase</b>	<b>Three-phase</b>	<b>Single-phase</b>	<b>Three-phase</b>	<b>Three-phase</b>
Rated torque	40 Nm	40 Nm	80 Nm	80 Nm	110 Nm
Gear rating			1/32		
Travel speed			9,6 m/1' - Z20 1/2"		
Working temperature			-20 °C +80 °C		
Oil type			Oil Fadini - Item 706L		
Door surface	25 m <sup>2</sup>	25 m <sup>2</sup>	50 m <sup>2</sup>	50 m <sup>2</sup>	50 m <sup>2</sup>
Mec 200 LB weight	19 kg	18 kg	23 kg	21 kg	25 kg
Protection standard			IP 55		
Limit switch			mechanical		

**PERFORMANCE**

Frequency of use	very intensive
Service cycle	25 s opening - 30 s dwell - 25 s closing - 30 s dwell
Complete cycle time	110 s
Complete opening - dwell - closing - dwell cycles	No. 33/hour
Annual cycles (with 8 hours of use per day)	No. 96.000