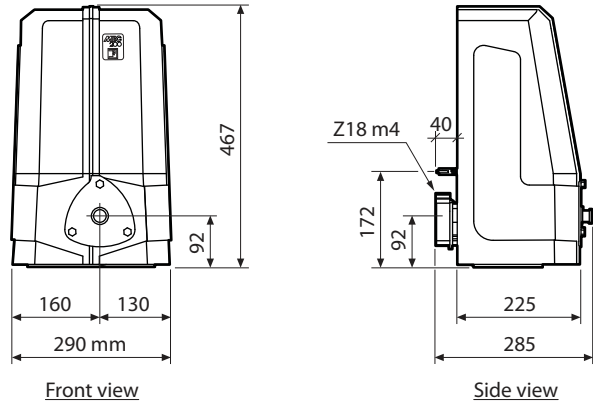
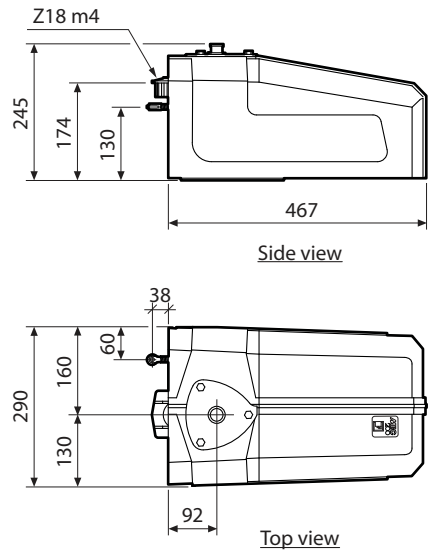


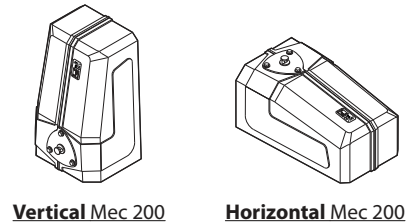
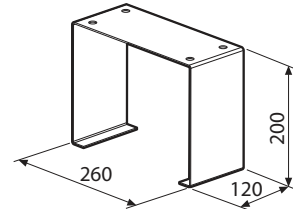
### Vertical Mec 200



### Horizontal Mec 200



### Base plate



Vertical Mec 200

Horizontal Mec 200

**MEC 200** is an electro-mechanical operator designed to meet any installation requirements, even with gates of considerable size. Two versions are available, vertical and horizontal. It is perfectly adaptable to the setting and dilatation inconveniences occurring with big gates and doors.

MEC 200 vertical and horizontal are available on request in two power versions: single- and three-phase for the 0,5 HP and 1,0 HP motors, and three-phase only for the 1,5 HP motors.

All the gears are in an oil bath: the steel shafts and the special bronze crown are mounted on bearings. The worm gear is coupled to a torque control device consisting of steel and brass discs, providing the unit with a clutch system. The clutch is adjustable from the outside in order to achieve anti-crash torque control, as required.

The main shaft of this electro-mechanical unit is fitted with an emergency override, and in cases of power failure it is possible to disconnect it from the gate, by means of a special spanner, for manual operations. MEC 200 is also fitted with a safety microswitch under the cover to disconnect the low voltage circuit when the cover is removed or the release spanner inserted to unlock for manual operations. Limit switches are incorporated in the operator, that comes complete with the striking plates and ground base plate with bolts.

MEC 200 is controlled by an electronic printed circuit board, designed to take the connections of other accessories such as radio remote controls, photocells, mechanical cable-operated edges and flashing lights. All of them providing the system with full safety features. Tested and certified **CE** marking and type testing according to ITT PDC No. 2388-2008.

### TECHNICAL SPECIFICATIONS

<b>ELECTRIC MOTORS</b>	<b>Single-phase</b>	<b>Three-phase</b>	<b>Single-phase</b>	<b>Three-phase</b>	<b>Three-phase</b>
Power output	0,37 kW (0,5 HP)	0,37 kW (0,5 HP)	0,73 kW (1,0 HP)	0,73 kW (1,0 HP)	1,1 kW (1,5 HP)
Supply voltage	230 Vac	230/400 Vac	230 Vac	230/400 Vac	230/400 Vac
Frequency	50 Hz				
Absorbed power	510 W	575 W	1.130 W	1.030 W	1.500 W
Absorbed current	2,4 A	2,1/1,2 A	5,7 A	3,7/2,2 A	5,1/3 A
Motor rotation speed			1.380 rpm		
Capacitor	20 µF		30 µF		
Intermittent service			S3		

<b>OPERATOR</b>	<b>Single-phase</b>	<b>Three-phase</b>	<b>Single-phase</b>	<b>Three-phase</b>	<b>Three-phase</b>
Rated torque	40 Nm	40 Nm	80 Nm	80 Nm	110 Nm
Gear rating			1/32		
Travel speed			10 m/1'		
Working temperature			-25 °C +80 °C		
Oil type			Oil Fadini - Item 706L		
Maximum gate weight	1.200 kg	1.250 kg	1.800 kg	1.850 kg	2.000 kg
Horizontal Mec 200 weight	19,5 kg	18,5 kg	23,5 kg	21,5 kg	25,5 kg
Vertical Mec 200 weight	19 kg	18 kg	23 kg	21 kg	25 kg
Protection standard			IP 55 (inside the cover)		
Limit switch			mechanical		

### PERFORMANCE

Frequency of use	very intensive
Service cycle	25 s opening - 30 s dwell - 25 s closing - 30 s dwell
Complete cycle time	110 s
Complete Opening - Dwell - Closing - Dwell cycles	No.33/hour
Annual cycles (with 8 hours of use per day)	No.96.000