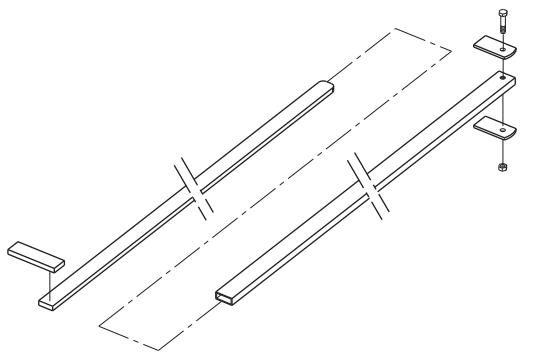
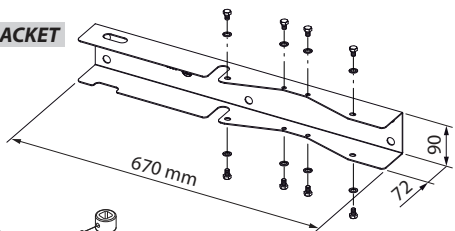


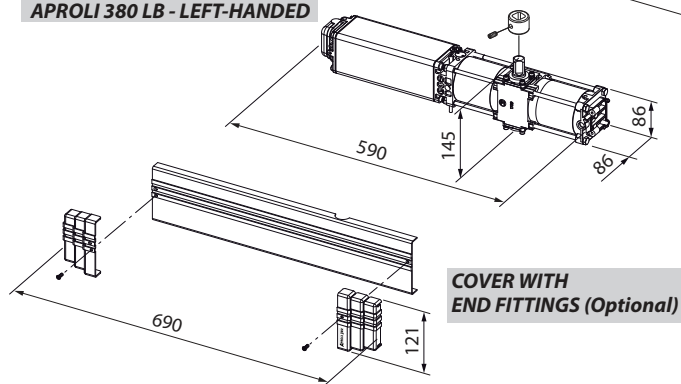
COMPONENTS OF THE TELESCOPIC ARM



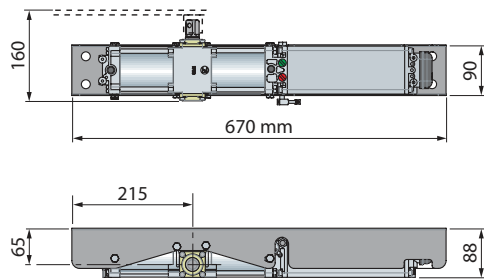
UNIVERSAL FIXING BRACKET



APROLI 380 LB - LEFT-HANDED



COVER WITH
END FITTINGS (Optional)



APROLI 380 LB oil-hydraulic is designed to operate bi-parting folding doors, with two hinged panels.

The motor-pump assembly is coupled to a double-headed oil-hydraulic cylinder, and adjustable pressure valves are incorporated in the assembly. The unit comes complete with a bracket to be fixed onto the existing door and can be released for manual operations in case of an emergency (the release device is fitted onto the side most easy to reach when required); two options are available for right-hand or left-hand applications.

The central shaft, where the square fixing plate is visible, can rotate in that it is coupled to the rack and gear assembly inside the hydraulic unit and by means of its rotation the door is operated open and close through a hinged arm.

The drive unit, consisting of a motor-pump and a double-headed piston, is fitted with a hydraulic, bi-directional locking device, inside the valve assembly, to firmly hold the door in closed position. Overriding is made possible in case of power failure.

All the moving parts, the shaft, gear and rack, are made of hardened steel, very finely machined; the two pistons and the seals are wear-proof and the former are made stronger by steel inserts. The bolts, screws and tie-rods are galvanized to meet weather-proof applications and are used to fix the end casting with the central cross-shaped casting, the valve assembly and the oil reservoir into one single, linear body.

The reservoir contains the oil as well as the aluminium pump joined to the electric motor.

On request the following accessories can be supplied: an anodized aluminium cover, two end fittings, the control lever to release the unit by means of a metal cable; this accessory can be supplied with a special custom-toothed key and is designed to be installed to a wall in the most convenient position (connect the end of the cable to the release lever, in the way that the installer can recommend depending on the door type).

The whole system is controlled (open, stop, close, stop) by an electronic printed circuit board through commanding accessories such as key-switch, digital keypad, proximity reader or remote controls, custom-encoded; it can be also connected to safety accessories such as mechanical cable-operated edges and photocells.

TECHNICAL SPECIFICATIONS

HYDRAULIC UNIT

P3 - Hydraulic pump capacity	0,85 l/min
Working pressure	10 atm
Maximum pressure	30 atm
Working temperature	-20 °C +80 °C (*)
Rated torque	196,2 Nm
Shaft rotation	max 205°
Oil type	Oil Fadini - Item 708L
Weight of operator	10,5 kg
Weight of Aproli 380 LB with accessories	16 kg
Max gate weight for double folding doors	250 kg
Protection standard	IP 67

(*) -40 °C with specific optional accessories (Ref. General Catalogue).

ELECTRIC MOTOR

Power output	0,24 kW (0,33 HP)
Supply voltage	230 Vac
Frequency	50 Hz
Absorbed current	1,2 A
Absorbed power	250 W
Capacitor	12,5 µF
Motor rotation speed	1.350 rpm
Intermittent service	S3

PERFORMANCE

Frequency of use	intensive	
Service cycle	opening	~ 23 s
	dwelling	30 s
	closing	~ 23 s
	dwelling	30 s
Complete cycle time	~ 106 s	
Complete cycles		
opening-dwelling-closing-dwelling	No. 34/hour	
Annual cycles (with 8 hours of use per day)	No. 99.280	

