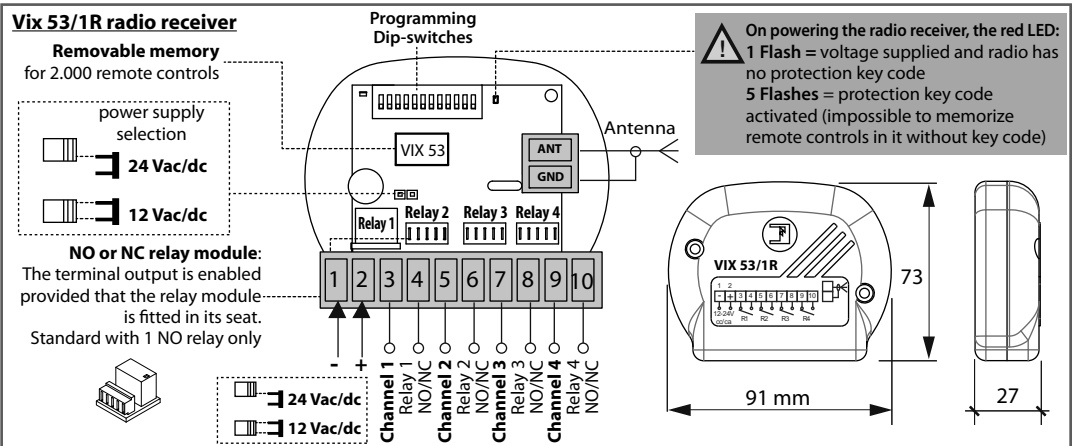
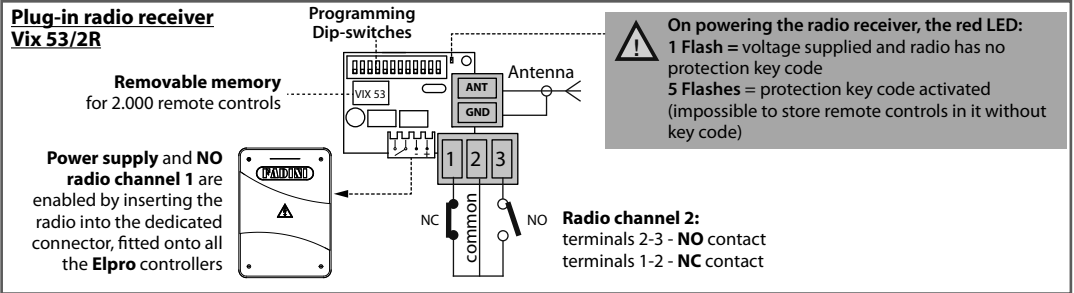


GENERAL DESCRIPTION: VIX 53/4 TR is a radio-transmitter with 4 buttons, 868,19 MHz, Rolling code, bidirectional (transceiver), auto-learning, 128 bit encoding. This radio system includes two receiver options, either **plug-in with two channels (Vix 53/2R)** or **up to 4 channels (Vix 53/1R)** (enabled by plug-in modules). It is possible to customize any installation by the **Red VIX 53 device**. By means of a **mini-USB interface** and a dedicated software (**softVIXare 15.1**) it is possible to change and manage the data (memory) of the radio receivers, even from a distance. Fit a 500 mA fuse should the controller not be any in the Elpro range. To get a better functioning of the receiver, it is recommended that the aerial ground terminal is connected to the ground terminal of the installation.



TECHNICAL DATA	
Vix 53/1R and plug-in Vix 53/2R radio receivers	(Vix 53/4TR) transmitter
Frequency 868,19 MHz Rolling code	Battery 1 x 3 V - CR2032
Power supply 12/24Vac & 12/24Vdc (Vix 53/1R)	Estimated battery life 2 years
Power supply 24 Vac & 24 Vdc (Vix 53/2R)	Encoding system Rolling code
Max absorption 73 mA	Working temperature -40 °C +85 °C
Antenna impedance 50 Ohm	Dimensions 65 x 36 x 12
Working temperature -10 °C +55 °C	Weight 23 g
Relay contact rating 0,5 A - 35 Vac or 1A-24 Vdc	Encoding 128 bit
Distance range 250 m (*)	Technology transceiver
No. of outputs max. 4 (Vix 53/1R) & 2 (Vix 53/2R)	(*) in bad weather or in case of dusts or obstructed transmission field, distance can be reduce by 50%
Transmitters in the memory 2.000	

DIP-SWITCH

Dip 1 = relay 1: channel 1
 Dip 2 = relay 2: channel 2
 Dip 3 = relay 3: channel 3
 Dip 4 = relay 4: channel 4
 Dip 5 = Bistable
 Dip 6 = Timer 1
 Dip 7 = Timer 2

Dip 8 = can memorize 100 transmitters
 Dip 9 = can delete 1 transmitter
 Dip 10 = radio link function
 Dip 11 = duplication transmitter to transmitter even from a distance by PC
 Dip 12 = blank

UE DECLARATION OF CONFORMITY (DoC)

Hereby, Meccanica Fadini snc, declares that transmitter VIX 53 is in compliance with the essential requirements and other relevant provisions of Directive 2014/53/UE. The declaration of conformity can be viewed on this website: www.fadini.net in the product section.

1 - PLUG-IN RADIO RECEIVER (Vix 53/2R) & Vix 53/1R

1.1 - MEMORIZING 1 RADIO CHANNEL ON ONE OR MORE REMOTE CONTROLS (Vix 53/4TR)

operation 1	operation 2	operation 3	operation 4
PLUG-IN RADIO RECEIVER: Fit the receiver card into the connector in the Elpro controller, aerial connected.	ON 1 or 2, 3, 4 Position to ON the Dip-switch corresponding to the enabled radio channel	In proximity of the radio receiver press the transmitter button and wait for the LED to go on and off in the radio receiver before memorizing other transmitters	OFF 1 or 2, 3, 4 radio receiver 3 confirming flashes

RADIO RECEIVER
Fit the relay module on to the dedicated seat corresponding to the required channel, power supply and connect the aerial.

NOTE WELL: if no result is achieved, check if the protection key code is set in the remote control and radio receiver.

1.2 - FAST MEMORY ON ALL 4 CHANNELS OF THE RADIO RECEIVER

operation 1	operation 2	operation 3	operation 4
PLUG-IN RADIO RECEIVER: Fit the receiver card into the connector in the Elpro controller, connect the aerial.	ON 1 2 3 4 Position to ON Dip-switches 1, 2, 3, 4	In proximity of the radio receiver press a button of the transmitter to memorize and wait for the LED to go on and off in the radio receiver before memorizing other transmitters	OFF 1 2 3 4 radio receiver 3 confirming flashes

RADIO RECEIVER
Fit the relay module on to the dedicated seat corresponding to the required channel, power supply and connect the aerial.

NOTE WELL: if no result is achieved, check if the protection key code is set in the remote control and radio receiver.

1.3 - MULTI-MEMORY: 100 REMOTE CONTROLS (Vix 53/4TR) ARE MEMORIZED AT ONE TIME

IMPORTANT: This operation can be exclusively performed on transmitters factory pre-set for it on demand at the time of the order.

operation 1	operation 2	operation 3	operation 4
Radio receiver power supplied and antenna connected ON 1 or 1 2 3 4 Position to ON the Dip-switch corresponding to the enabled radio channel or all 4 Dip-switches if all 4 buttons are required to be memorized (only with stand alone receivers)	ON 8 Position to ON Dip-switch 8	<i>NOTE WELL: in the KIT are identified two transmitters as first and last in a batch of 100 transmitters</i> In proximity of the radio receiver press any one button of the first transmitter, wait for the led to go off, then press any one button of the last transmitter	Wait for a flash confirming memorizing achieved before stopping the operation OFF 1 OFF 1 2 3 4 radio receiver 3 confirming flashes

1.4 - DELETING A REMOTE CONTROL (Vix 53/4TR) FROM THE MEMORY

operation 1	operation 2	operation 3	operation 4
Radio receiver power supplied and antenna connected	ON 9 Position to ON Dip-switch 9	In proximity of the radio receiver press a transmitter button and wait for the LED to go on and off in the radio receiver before deleting other transmitters	Wait for a flash confirming memorizing achieved before stopping the operation OFF 9 radio receiver 3 confirming flashes

1.5 - DELETING THE ENTIRE MEMORY OF THE PLUG-IN RADIO RECEIVER (Vix 53/2R) & Vix 53/1R

NOTE WELL: this operation cancels definitively any transmitter memorized in the removable memory of the radio receiver.

operation 1	operation 2	operation 3	operation 4
Radio receiver power supplied and antenna connected	ON 1 2 3 4 5 6 7 8 9 Position to ON all Dip-switches up to 9	In proximity of the receiver press any one button of the memorized transmitter and wait for the LED to go off	OFF 1 2 3 4 5 6 7 8 9 radio receiver 3 confirming flashes

2 - RADIO LINK FUNCTION WITH PLUG-IN (Vix 53/2R) & Vix 53/1R RECEIVERS

This function increases the standard distance range of the VIX 53/4 TR transmitter creating a radio link with other radio receivers (plug-in or stand alone) that are positioned at a maximum distance of 150 meters from one another. As first step memorize the transmitter/s in the **final radio receiver** (plug-in or stand alone), following operation 1.1 or 1.2, then install the last one as terminal in the radio link. The receivers in the link, with the exclusion of the terminal one, perform only the reception and transmission of the signal, by setting **Dip-Switch 10 to ON**.

3 - ADDITIONAL FUNCTIONS PERFORMED BY THE RADIO RECEIVER (Vix 53/1R) & plug-in (Vix 53/2R)

3.1 - Bistable	operation 1	operation 2	operation 3	operation 4	
out input step-by-step function	Memorize a transmitter button on a radio channel (see 1.1 or 1.2 radio receiver memorizing) on which this function is required to be enabled	ON 5 + ON 1 or 2, 3, 4 Position to ON the Dip-switch corresponding to the radio channel enabled to this function	In proximity of the radio receiver press a button of the transmitter and wait for the LED to go on and off in the radio receiver	OFF radio receiver 3 confirming flashes	
3.2 - Timer 1	operation 1	operation 2	operation 3	operation 4	operation 5
out input T	Memorize a transmitter button on a radio channel (see 1.1 or 1.2 radio receiver memorizing) on which this function is required to be enabled	ON 6 + ON 1 or 2, 3, 4 Position to ON the Dip-switch corresponding to the radio channel enabled to this function	In proximity of the radio receiver press a button of the transmitter to set times to zero	minutes seconds max 60 max 60	OFF radio receiver 3 confirming flashes
3.3 - Timer 2	operation 1	operation 2	operation 3	operation 4	operation 5
out input T	Memorize a transmitter button on a radio channel (see 1.1 or 1.2 radio receiver memorizing) on which this function is required to be enabled	ON 7 + ON 1 or 2, 3, 4 Position to ON the Dip-switch corresponding to the radio channel enabled to this function	In proximity of the radio receiver press a button of the transmitter to set times to zero	minutes seconds max 60 max 60	OFF radio receiver 3 confirming flashes
3.4 - Deleting the additional functions	operation 1	operation 2	operation 3	operation 4	
Resetting the enabled channel back to normal operating mode	ON 5 6 7 Position to ON Dip-switches 5, 6, 7	ON 1 or 2, 3, 4 Position to ON the Dip-switch corresponding to the radio channel enabled to the additional function	In proximity of the radio receiver press a button of the transmitter and wait for the LED to go on and off in the radio receiver	OFF radio receiver 3 confirming flashes	

4 - (Vix 53/4TR) TRANSMITTER

IMPORTANT: The radio receiver comes in remote duplication mode, that is the possibility of duplicating the transmitters from a distance (even by PC through a dedicated software) without any action on the receiver. Nevertheless the installer can decide to disable this function by setting Dip-switch 11 to ON:
 Dip 11 = ON the receiver does not accept transmitters inter-duplicated from a distance or by PC and software
 Dip 11 = OFF the receiver accepts transmitters inter-duplicated from a distance or by PC and software

NOTE WELL: all operations 4.1, 4.2, 4.3 performed on the transmitter, can be carried on at a distance from the installation without any physical action on the radio receiver.

4.1 - (Vix 53/4TR) TRANSMITTER DUPLICATION

This operation allows for a new transmitter to be memorized in the radio receiver when a previously memorized transmitter is available. The two transmitters must be at a distance of about 20 cm from each other.

operation 1	operation 2	operation 3
new 2 flashes	new 3 flashes	new memorized
Perform this operation for two times: press and release the first two buttons of the transmitter at the same time: the LED will give out 2 flashes the first time and 3 flashes the second time	The LED of the NEW transmitter stays alight for about 4 seconds: during this time the operation must be terminated	Press at the same time the first two buttons of the transmitter, already memorized, until the led of the NEW transmitter flashes and then goes off

NOTE WELL: if no result is achieved, check if the protection key code is set in the remote control and radio receiver.

4.2 - (Vix 53/4TR) TRANSMITTER REPLACING

This operation allows for a transmitter, previously memorized in the radio receiver, to be replaced with a new transmitter. The two transmitters must be at a distance of about 20 cm from each other.

operation 1	operation 2	operation 3	operation 4
new pulse	new 2 flashes 1st time 3 flashes 2nd time 4 flashes 3rd time	new	new hold on pressed
Perform this operation for 3 times: press and release the first two buttons of the transmitter at the same time	The LED of the NEW transmitter stays alight for about 4 seconds: time for the operation to be terminated		Press at the same time the first two buttons of the transmitter, already memorized, until the led of the NEW transmitter flashes and then goes off

NOTE WELL: if no result is achieved, check if the protection key code is set in the remote control and radio receiver.

4.3 - (Vix 53/4TR) TRANSMITTER DELETING

This operation allows for a transmitter, previously memorized in the radio receiver, to be deleted by a new transmitter or by one memorized in the radio receiver. The two transmitters must be at a distance of about 20 cm.

operations 1 - 2 - 3 - 4	operation 5
memorized/new pulse	memorized/new hold on pressed
2 flashes 1st time 3 flashes 2nd time 4 flashes 3rd time 5 flashes 4th time	The LED stays alight for about 4 seconds: time for the operation to be terminated
Perform the 1st operation for 4 times: press and release at the same time the first two buttons of the transmitter already memorized/new	Press at the same time the first two buttons of the transmitter to delete until the led of the transmitter already memorized/new flashes and goes off

NOTE WELL: if no result is achieved, check if the protection key code is set in the remote control and radio receiver.

4.4 - MAKE SURE THE (Vix 53/4TR) TRANSMITTER IS PROTECTED BY A KEY CODE

Press buttons 3 and 4 at one time for 2-3 seconds: if the LED emits 3 flashes the remote control is mastered by a protection key code. No flashing, no protection code.

1 2 3 4	hold on pressed for 2-3 seconds	3 flashes = protection key code inserted
		no flashing = no protection key code inserted

(Vix 53/4TR) RADIO TRANSMITTER FAMILY

4 channels transmitter VIX 53/4 TR with cover coloured in: lime-green, mustard yellow, candy lilac	RED VIX 53 instrument for inserting/deleting the protection key code	SoftVIXare 53 interface red in colour	Plug-in radio receiver VIX 53/2 R	VIX 53/1 R radio receiver
--	--	---------------------------------------	-----------------------------------	---------------------------

TROUBLE SHOOTING

Trouble	How to cure it
Steps in sections 1, 2, 3 and 4 radio and transmitter fail, no functioning	- Make sure that both the radio and transmitter are key-encoded
Short distance range	- Check the antenna position and connections - Replace battery in the transmitter
At a distance from the installation, by pressing any button of the remote control, the LED flashes instead of being fixed for a few seconds	- Battery almost run out, replace
Operations on the transmitter as described in section 4 are not working	- Check position of Dip 11