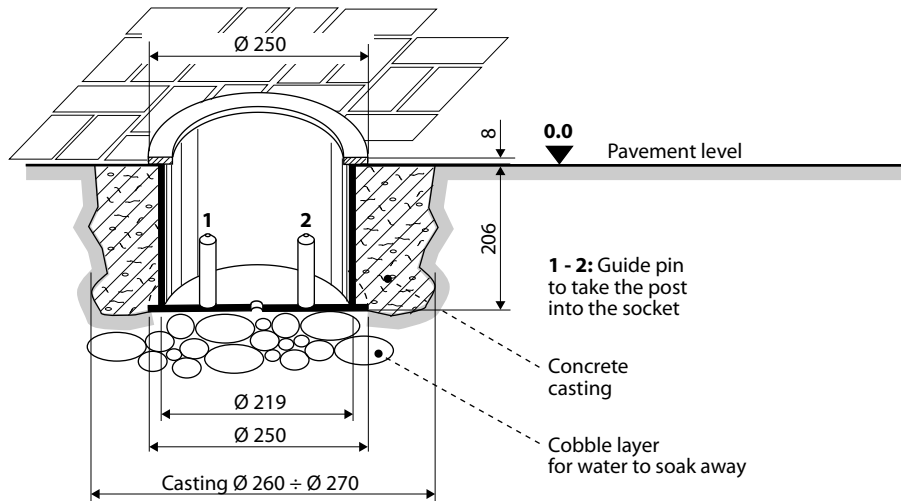


VIMARI 2316 - Removable

FIXING THE SOCKET IN THE PAVEMENT



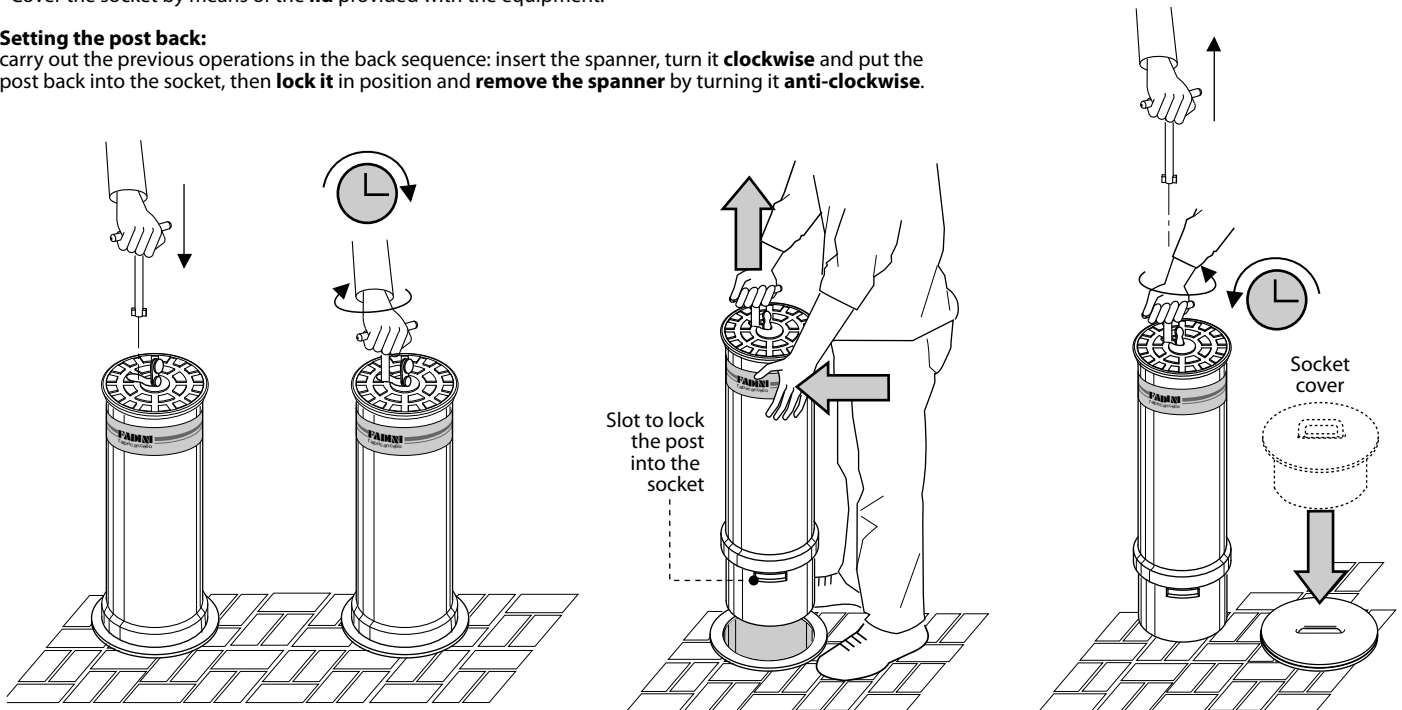
RELEASING OPERATIONS AND REMOVAL OF THE POST

Removal of the post:

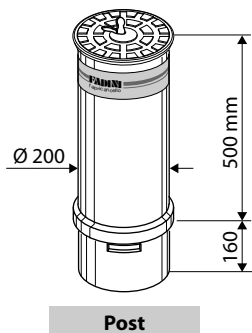
- Insert the specially shaped spanner into the lock under the post cover.
- To **release** and remove the post, turn the spanner **clockwise** and lift the post out of the socket.
- Let the post stand and **remove the spanner** by turning it **anti-clockwise**.
- Cover the socket by means of the **lid** provided with the equipment.

Setting the post back:

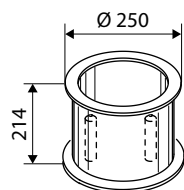
carry out the previous operations in the back sequence: insert the spanner, turn it **clockwise** and put the post back into the socket, then **lock it** in position and **remove the spanner** by turning it **anti-clockwise**.



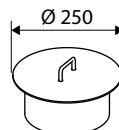
OVERALL DIMENSIONS



Post diameter (mm)	Post height (mm)	Post thickness (mm)	Post finish
200	500	4	RAL 7016 anthracite grey
200	800	4	RAL 7016 anthracite grey
200	500	4	AISI 304 SS steel brushed



Socket



Socket cover

DECLARATION OF CONFORMITY:

Meccanica Fadini snc (Via Mantova, 177/A - 37053 Cerea - VR - Italy) declares under its own responsibility that **Vimari 2316** is in compliance with the Directive 2006/42/EC on machinery, moreover: is to be sold and installed as a comprehensive "Automatic System", including the accessories and components as recommended by the Manufacturing Company. In observance of the current directives, any automation is to be regarded as a "machine". Therefore it is required that all the applicable safety norms are strictly complied with by installation agents, who are also required to issue a Declaration of Conformity. The manufacturing company is not liable for incorrect applications or misuse of its products that are declared to be produced in compliance with the following norms: Analysis of the risk and actions to cure them EN 12445 & EN 12453, Low Voltage Directive 2014/35/UE, Electro-magnetic Compatibility Directive 2014/30/UE. In order to certify the product the Manufacturer declares under his own responsibility the compliance with the PRODUCT regulations under the NORMS EN 13241-1.

Meccanica Fadini s.n.c.
Responsible Manager

Drwg.No. 4896 GB

INSTRUCTIONS FOR THE INSTALLATION AND REMOVAL
OF VIMARI 2316 REMOVABLE POST

meccanica
FADINI