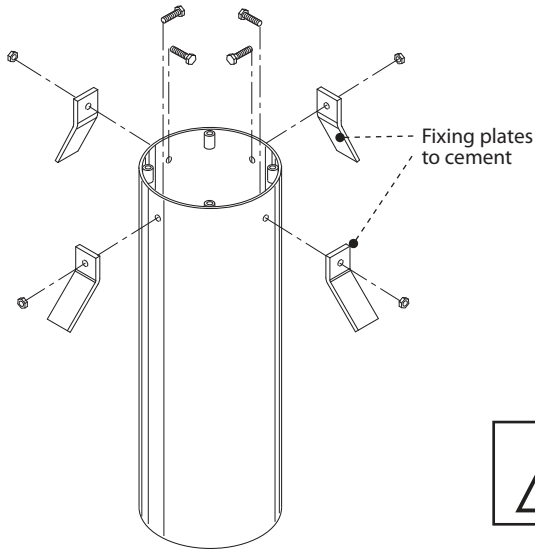
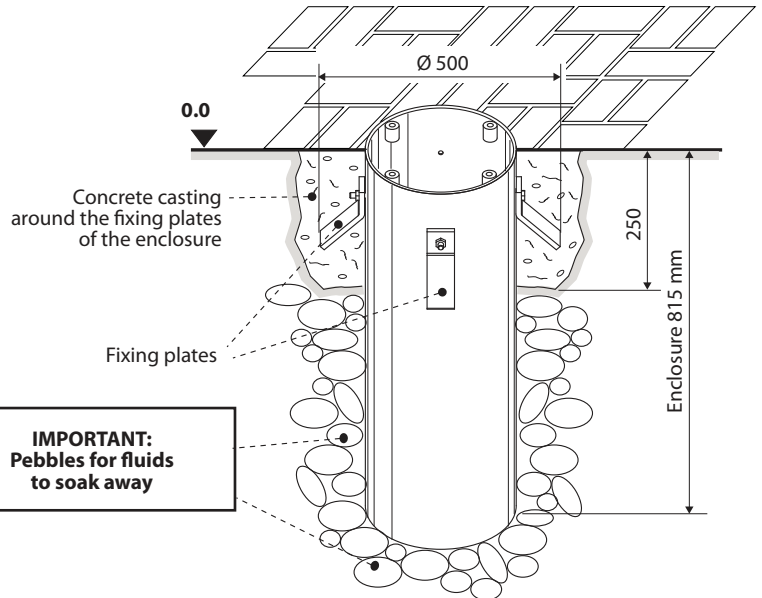


GASPO 252 - Hand-operated - with gas springs

ENCLOSURE INSTALLATION AND FIXING



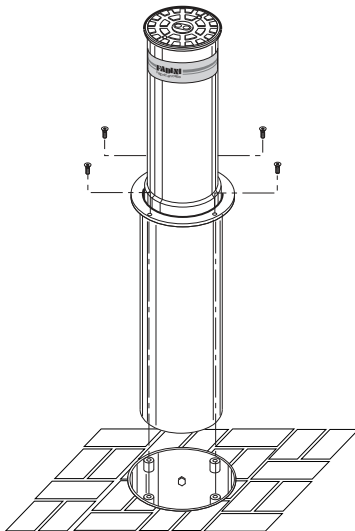
Fix the fixing plates to the enclosure with the provided bolts



Once setting is completed, Gaspo 252 enclosure must be flush with pavement

FITTING THE POST INTO THE ENCLOSURE

To facilitate the fitting operations into the enclosure, we advise to bring the post to standing out position. Then sink the assembly into the enclosure and fixing it by the M10x20 TSEI screws.



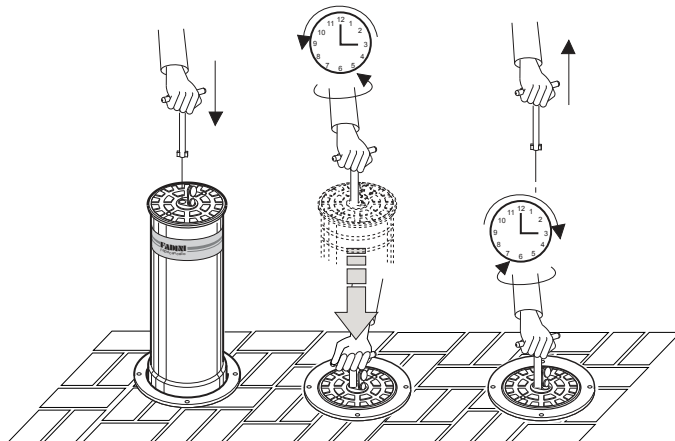
GASPO 252 FUNCTIONING

Lowering the post:

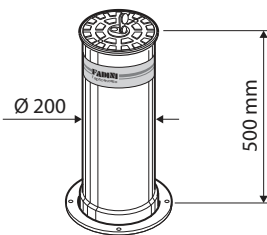
- Insert the shaped spanner into the lock under the post cover.
- To **unlock** the post, turn the spanner **anticlockwise** and lower the post completely.
- When the post is completely lowered, to **lock** the post in down position and be allowed to **remove the spanner**, turn it **clockwise**.

Resetting the post:

carry out the previous operations backwards: insert the spanner, turn it **anticlockwise** to **unlock** and lift the post, then turn it **clockwise** to **lock**, the post and be allowed to **remove the spanner**.



OVERALL DIMENSIONS



Post diameter (mm)	Post height (mm)	Post thickness (mm)	Post finish
200	500	4	RAL 7016 Anthracite Grey
200	500	4	Aisi 304 SS steel

GB

Drw. N. 6450

INSTALLATION AND FUNCTIONING
OF THE HAND-OPERATED POST **GASPO 252**

meccanica FADINI