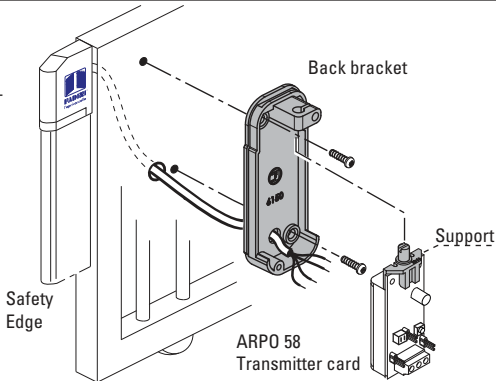
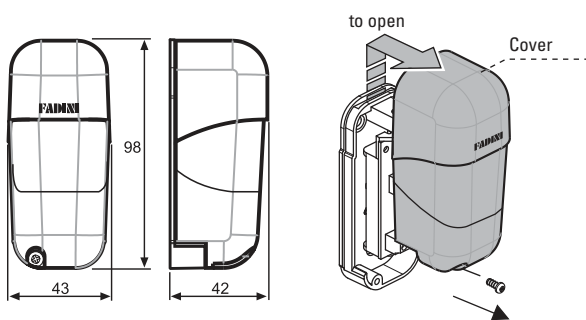


**ARPO 58 Radio Link:** radio device with wireless transmitter to be used as safety system with automatic gates.

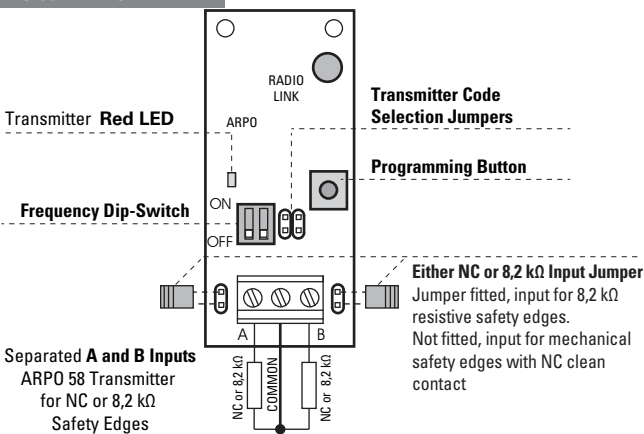
The system can consists of:

- Up to 4 ARPO 58 transmitters with two inputs set by jumpers able to control either mechanical safety edges with NC clean contact or 8,2 kΩ resistive ones. Operated by 2 x AA 1.5 V battery, 4 years battery life;
- One ARPO 58 Receiver with 2 selectable outputs, either NO or NC associated to the ARPO transmitter inputs, and one x NC safety STOP output. 12/24 Vac/dc selectable power supply. Receiver distance range 100 m with aerial and 30 m without aerial.

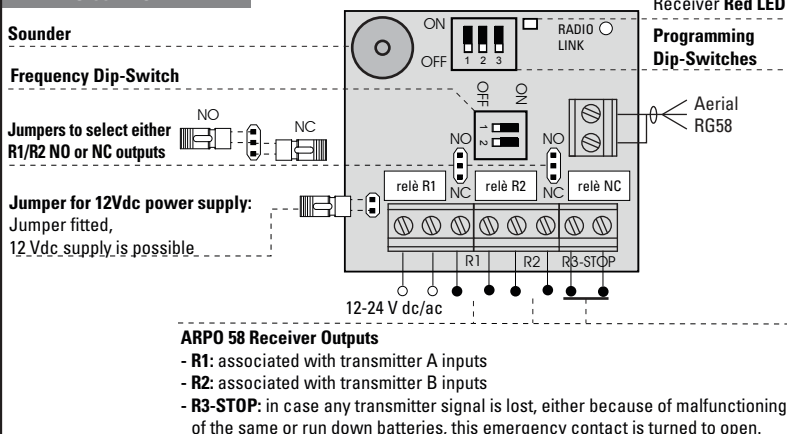
**ARPO 58 Transmitter**



**ARPO 58 TRANSMITTER**



**ARPO 58 RECEIVER**



**ADDITION OF TRANSMITTERS TO ARPO 58 RECEIVER**

**ATTENTION:** It is important that the **Frequency Dip-Switches** are set in the **same way** on both ARPO 58 Receiver and the Transmitters associated with it. By changing these Dip-switches it is possible to select the operating frequency, and manage up to 4 installations nearby.

**ATTENTION:** In case more Transmitters are used, each of them is to have its own combination of **Jumpers for Transmitter Code Selection**, different from each other, in order to uniquely identify the transmitters associated with the Receiver.

Possible combinations:

- 1 - Select the type of Safety Edge to be associated with A and B inputs in the Transmitter by the dedicated jumper next to A and B terminal.
  - Jumper for NC or 8,2 kΩ inputs**  
Jumper fitted for 8,2 kΩ resistive edges  
Not fitted for NC mechanical edges
- 2 - Set the **Programming Dip-switches 1 and/or 2** in the ARPO 58 Receiver
  - Dip 1 ON only to program A input of the ARPO 58 Transmitter
  - Dip 2 ON only to program B input of the ARPO 58 Transmitter
  - Dip 1 and 2 ON to program both A and B inputs of the ARPO 58 Transmitter
- 3 - Press **Programming Button** in the ARPO 58 Transmitters that are required to be added on to ARPO 58 Receiver.
- 4 - Set to OFF ALL of the **Programming Dip-Switches** in the ARPO 58 Receiver

**DELETING ALL TRANSMITTERS**

- 1 - Set to ON ALL of the **Programming Dip-Switches** in the ARPO 58 Receiver
  - ALTERNATED BEEP**
- 2 - Press the **Programming button** in any ARPO 58 Transmitter associated with the ARPO 58 Receiver
  - LONG BEEP**
- 3 - Set to OFF ALL of the **Programming Dip-Switches** in the ARPO 58 Receiver
  - NO BEEP**

**POSSIBLE MALFUNCTIONS**

Faults	Causes	Actions to cure
Red LED in ARPO 58 Transmitter flashes	- Transmitter not associated with the ARPO 58 Receiver - Transmitter to the limit of the ARPO 58 Receiver distance range	- Add the Transmitter to the ARPO 58 Receiver - Add an external aerial to the ARPO 58 Receiver
Four alternated BEEPs in ARPO 58 Receiver	- Batteries almost run down	- Replace batteries in the ARPO 58 Transmitter
Continuous BEEP and Red LED with fixed light in ARPO 58 Receiver	- Batteries run down - Transmitter beyond ARPO 58 Receiver distance range	- Replace batteries in the ARPO 58 Transmitter - Add an external aerial to the ARPO 58 Receiver

Hereby, Meccanica Fadini snc, declares that this safety device ARPO 58 is in compliance with the essential requirements and other relevant provisions of Directives 2014/30/UE and 2014/35/UE. The declaration of conformity can be viewed on this website: [www.fadini.net](http://www.fadini.net) in the product section.

TECHNICAL DATA	RECEIVER	TRANSMITTER
Power supply	12-24 Vdc/ac	2 batteries 1,5 V AA type
Battery life		4 years
Frequency	868 MHz	868 MHz
Distance range	100 m with aerial 30 m without aerial	100 m
No. of transmitters to associate	4	
Selectable frequencies	4	4
Outputs	2 NA o NC + 1 safety stop (N.C.)	
Relays	1 A/24 Vdc	
Working temperature	-20°C +70°C	-20°C +70°C
Maximum consumption	66 mA	12 mA
Protection standard	IP 53	IP 55
Compatible safety edges	Mechanical and/or resistive	